



Automatic barrier with smartphone control feature

Automatic closing feature

Operating autonomy up to 1 year (rechargeable li-ion batteries)

Solar panel for extended autonomy

Manual control possibility

Constant power supply option (optional backup battery)

# Smart Parking Barrier

## TECHNICAL SHEET

# Technical characteristics

**Note: All measurements made at 25 °C**

<b>Dimensions (barrier opened):</b>	918 mm x 331 mm x 70 mm
<b>Dimensions (barrier closed):</b>	453 mm x 331 mm x 517 mm
<b>Weight:</b>	15.2 kg
<b>Working temperature:</b>	-20 °C to 60 °C
<b>Working humidity:</b>	5 % to 95 % RH, non-condensing
<b>Operating altitude:</b>	2000 m
<b>Ingress protection:</b>	IP65
<b>Nominal travel time:</b>	<5 s
<b>Power supply:</b>	Parklio battery pack Parklio double battery pack AC/DC external low voltage power supply (constant supply)
<b>Operating voltage:</b>	6 Vdc – 11 Vdc
<b>Current consumption (operation):</b>	2 A continuous, 8 A peak current
<b>Current consumption (standby):</b>	100 uA average standby current
<b>Wireless connectivity:</b>	Bluetooth LE
<b>Over-The-Air upgrades:</b>	Yes
<b>Antenna interface:</b>	Internal 2.4 GHz antenna
<b>Sensors:</b>	One magnetic sensor and one Class 1 laser sensor for detecting vehicle presence
<b>Protection and coatings:</b>	Cold dip galvanized and lacquered, powder coated Stainless steel

Parklio Smart Parking Barrier technical data

---

<b>Transmission power:</b>	4 dBm
<b>RF Power Accuracy:</b>	±2.5 dB
<b>Receiver sensitivity:</b>	-96 dBm
<b>Frequency range:</b>	2402 MHz to 2480 MHz
<b>Adv. interval:</b>	211 ms

### BLE radio performance

<b>Nominal voltage:</b>	7.4 V
<b>Battery charging voltage:</b>	8.4 V
<b>Typ. capacity:</b>	3200 mAh (single) / 6400 mAh (double)
<b>Discharge temperature:</b>	-20 °C to 60 °C
<b>Charging temperature:</b>	10 °C to 40 °C
<b>Charger input voltage:</b>	9V (single) / 12V (double)
<b>Charging current:</b>	700 mA (single) / 1500mA (double)
<b>Protection:</b>	Input short circuit protection Input reverse polarity protection Charging over-temperature protection Charging over-voltage protection Output over-current protection Output short-circuit protection

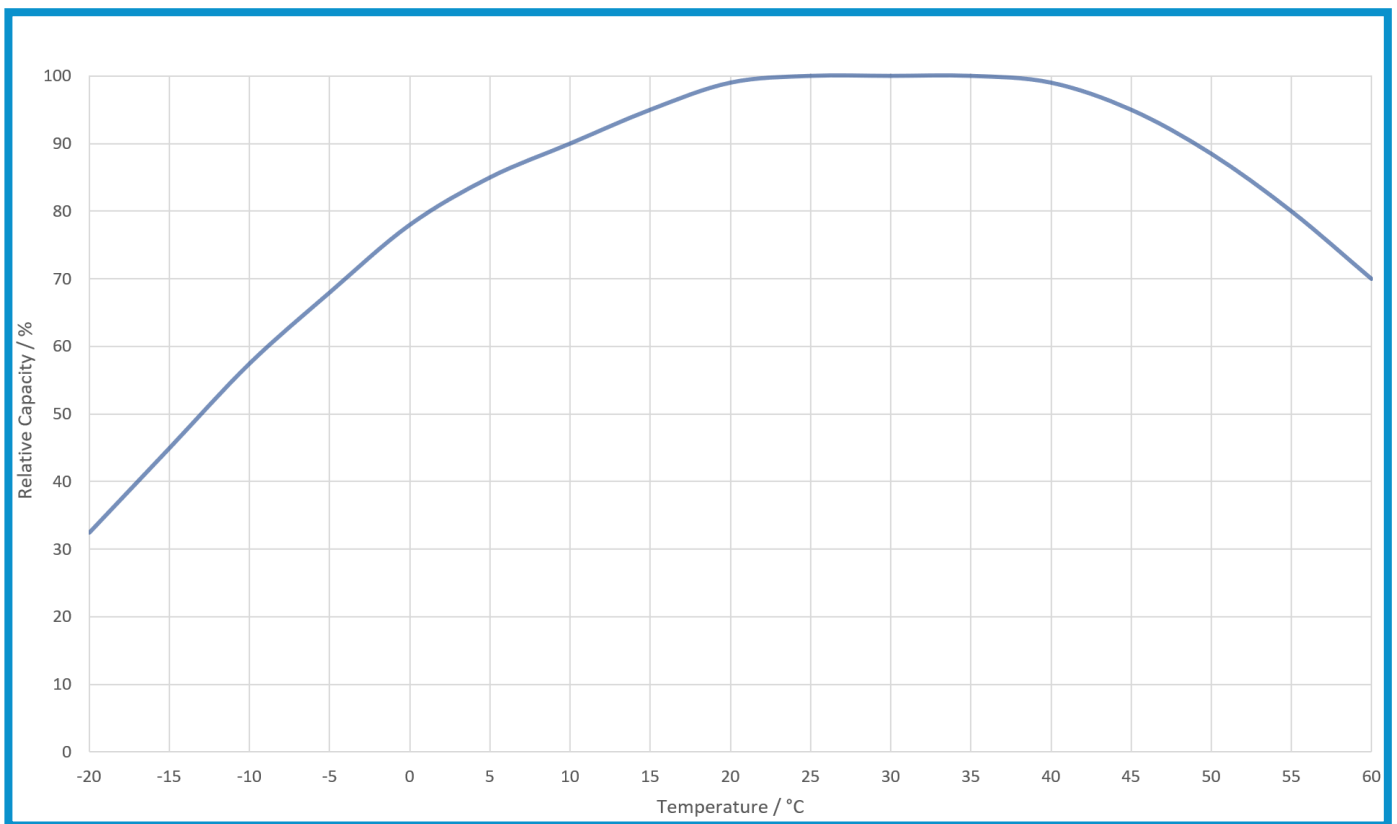
### Battery pack specifications

<b>Input voltage:</b>	85 Vac to 264 Vac
<b>Input voltage frequency:</b>	47 Hz to 63 Hz
<b>Efficiency:</b>	83 %
<b>Input current:</b>	1.2 A (115 Vac) 0.8A (230 Vac)
<b>Inrush current:</b>	30A (115 Vac) 60A (230 Vac)
<b>Output voltage:</b>	10.8 Vdc - 13.8 Vdc
<b>Continuous output current:</b>	4.5 A
<b>Rated power:</b>	54 W
<b>No load power:</b>	0.3 W
<b>Output ripple voltage:</b>	120 mVpp
<b>Operational temperature:</b>	-30 °C to 70 °C
<b>Operational humidity:</b>	20 % to 90 %, non-condensing
<b>Operational altitude:</b>	2000 m
<b>Protection:</b>	Over voltage Current limiting Overload Short circuit Overcurrent
<b>Dimensions:</b>	52.5 mm x 90 mm x 54.5 mm
<b>Mounting:</b>	DIN rail

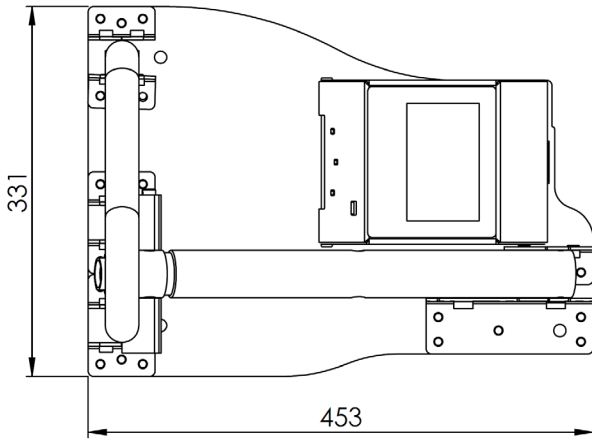
External AC/DC Power supply specifications

---

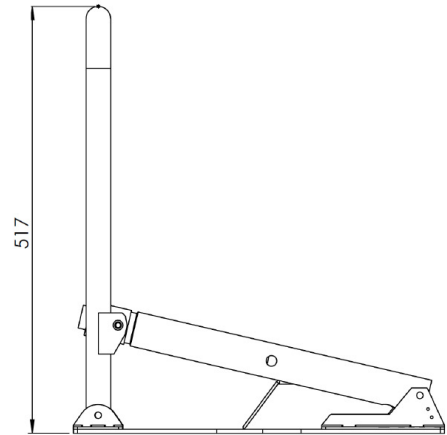
# Relative capacity-Temperature Dependence Curve for Parklio battery pack



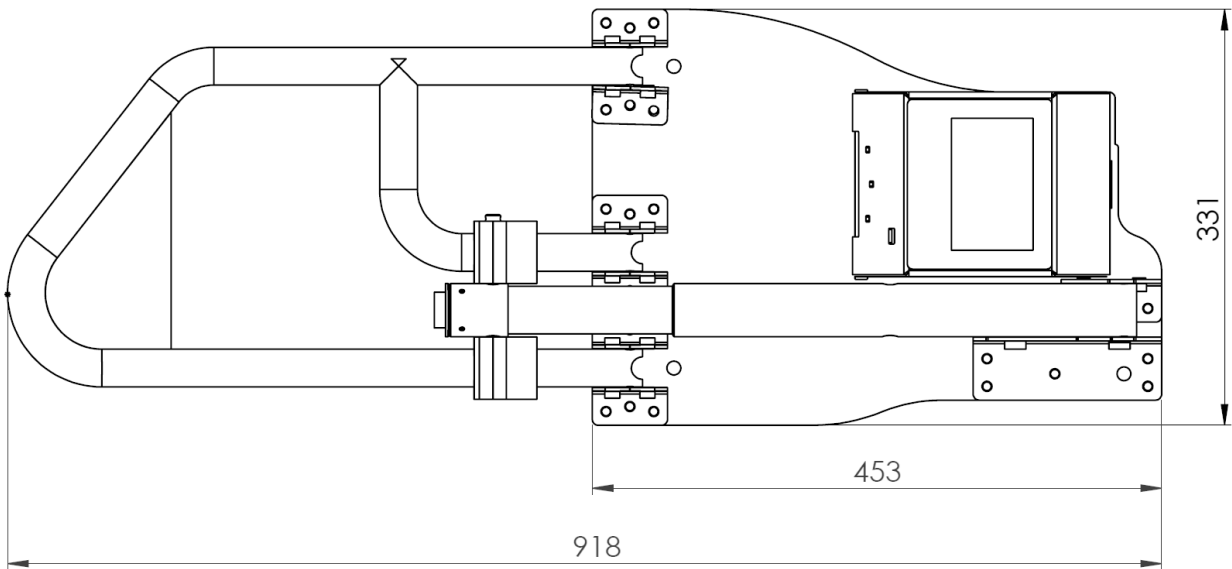
# Overall dimensions



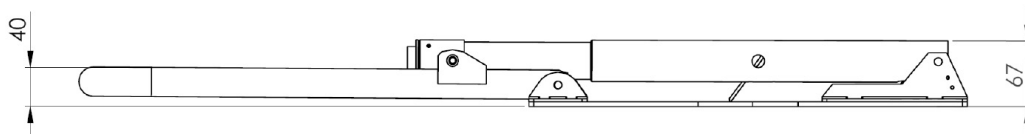
**Barrier Raised - Top View**



**Barrier Raised - Side View**



**Barrier Lowered - Top View**



**Barrier Lowered - Side View**



## **Attention!**

---

- Please read the user manual and technical sheet before installing and using the Parklio smart parking barrier.
- Always follow the safety instructions.
- Keep this user manual at hand for future reference.

[www.parklio.com](http://www.parklio.com)  
[info@parklio.com](mailto:info@parklio.com)  
+385977247276

