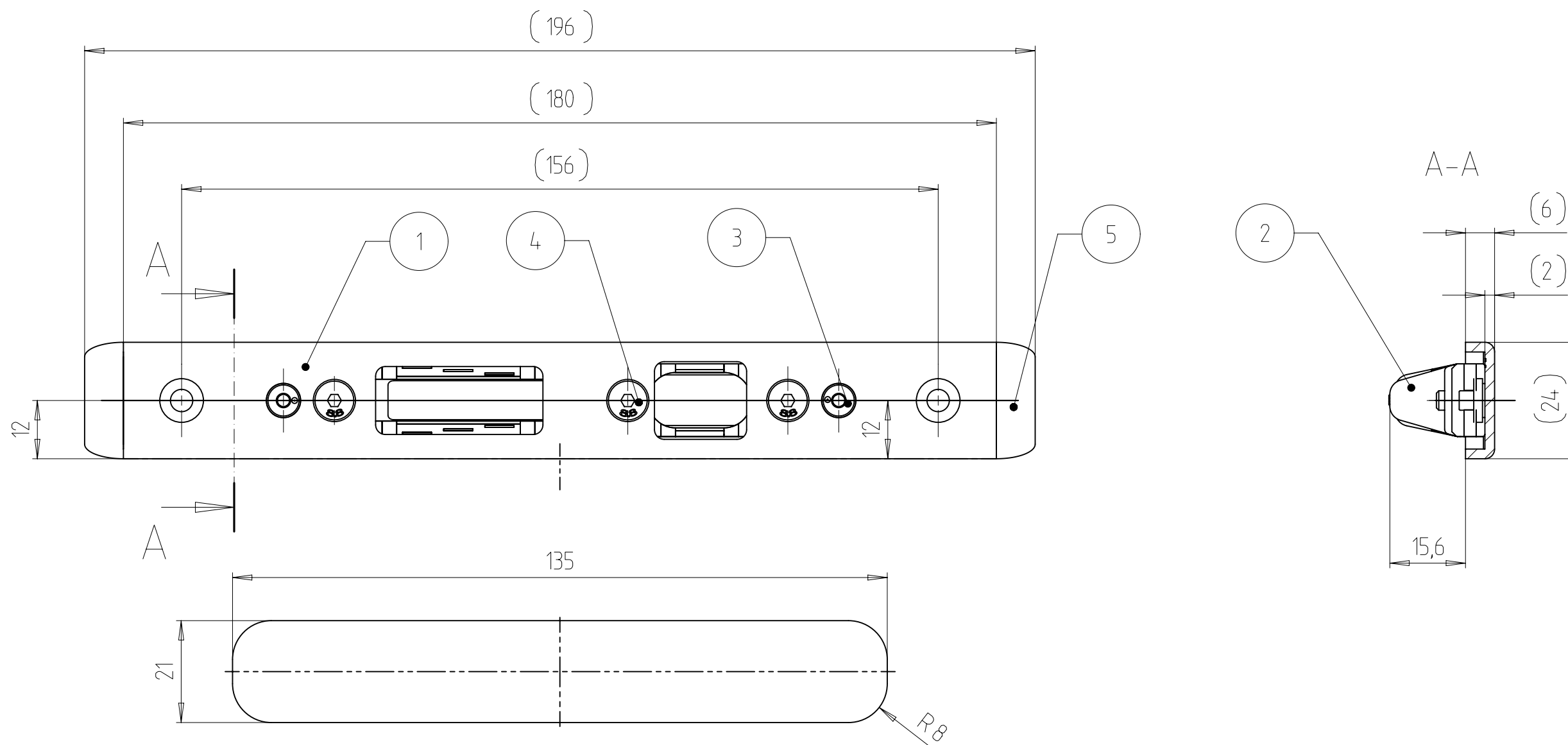


The Drawing and its contents are to be kept secret from third parties, particularly competitors. The drawing and documents which go with it are not to be duplicated either in local or extract, or used in other documentation without express approval (815 and 38 UrHG - §1 and 18 UWG). A reservation of rights in accordance with §12 PatG is declared for the event that a patent is granted.



Frästiefe = angegebene Tiefe + min. 1 mm

Fräser \varnothing 16 mm
Anlaufring \varnothing 27 mm

wie gezeichnet DIN links
spiegelbildlich DIN rechts

Artikel- Nr. auf der Rückseite geprägt

Tolerierung nach ISO 8015

Pos. 3 in Pos. 2 einlegen
Pos. 2 und Pos. 1 mit Pos. 4 verschrauben
Pos. 5 in Pos. 1 einklipsen

5	Schliesskasten komplett	1	7.880.06933	
4	Endkappe	2	9.811.00159	
3	Senkschraube DIN 7991-M4x12	3	9.999.03359	
2	Rd__Excenter	2	9.714.00090	
1	U-Profil-Schliessblech	1	9.868.03758	
Pos	Benennung	Stck	PDM-Nr.	Bemerk
Qty.	Type of Modification	SB neu aufgeladen	ANT	Drawn Nagel
1				Approved Markus Müller
				Date 08.03.2017
Volume /mm ³	Weight/g	Material-No.	Item-No.	Tool-No.
23459	93,000		3625-06-240	
		Tolerance	Part-Description	
		ISO2768MK	U-Profil-Schliessblech	
Scale	Additional Notice			
1 : 1				
Drawn	HOELTGENM	KFV	Document No.	Doc. Part No.
Date	23.10.2009		7.868.03759	000
Appr.	THODEP		Revision	02
Date	26.10.2009		Status	20
			Replacement for :	Test procedure
			Replaced by :	Size
				A3