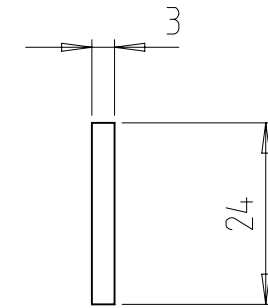
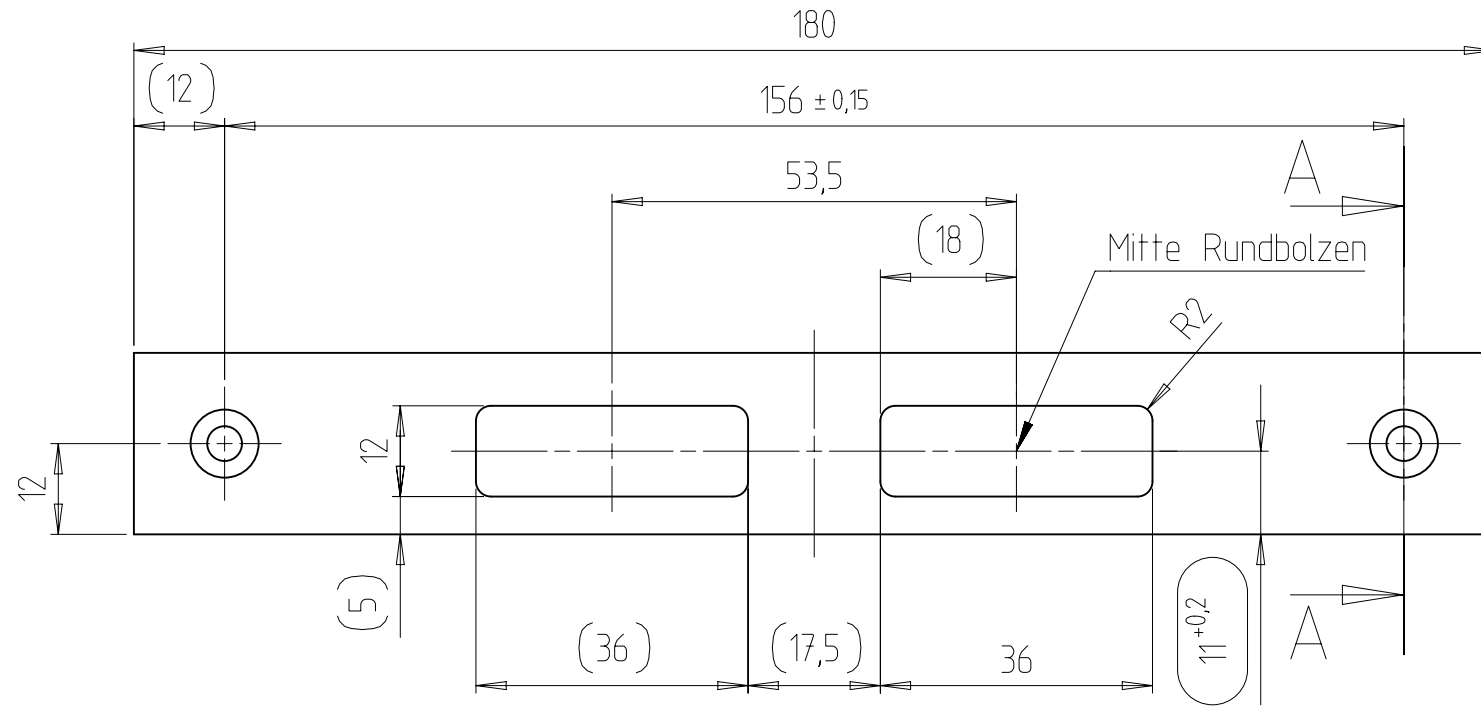
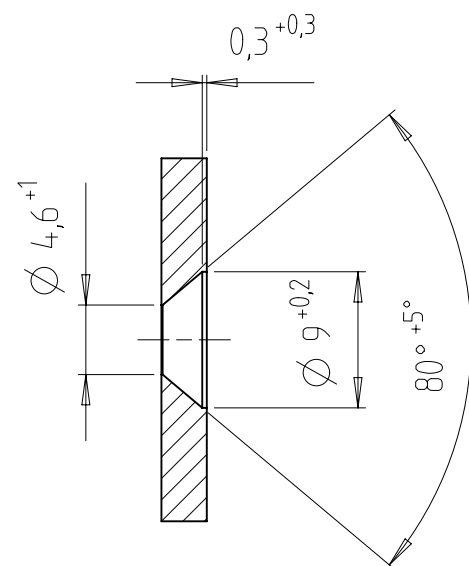


The Drawing and its contents are to be kept secret from third parties, particularly competitors. The drawing and documents which go with it are not to be duplicated either in local or extract, or used in other documentation without express approval (§15 and §18 UrHG - §1 and §18 UWG). A reservation of rights in accordance with §12 PatG is declared for the event that a patent is granted.



A-A 2:1



DIN 9830
Gueteegrad f

Tolerierung nach ISO 8015

Qty. 1	Type of Modification nach NX übernommen	ANT Y7999J	Drawn M. M.-Bachem	Approved P. Thode	Date 01.10.2017
Volume /mm ³ 10151	Weight/g 79,487	Material-No. NACH AUFTRAG	Item-No. 3630-03-24	Tool-No.	
		Tolerance ISO 2768 mK	Part-Description Flach- Schliessblech		
Scale 1 : 1		Additional Notice OBERFLAECHE: NACH AUFTRAG			
Drawn Buerger	KFV	Document No. 9.848.00003		Doc. Part No. 000	Revision 25
Date 18.05.1994					Status 20
Appr. Borch		Replacement for :		Test procedure	
Date 03.08.1994		Replaced by :		Size A3	