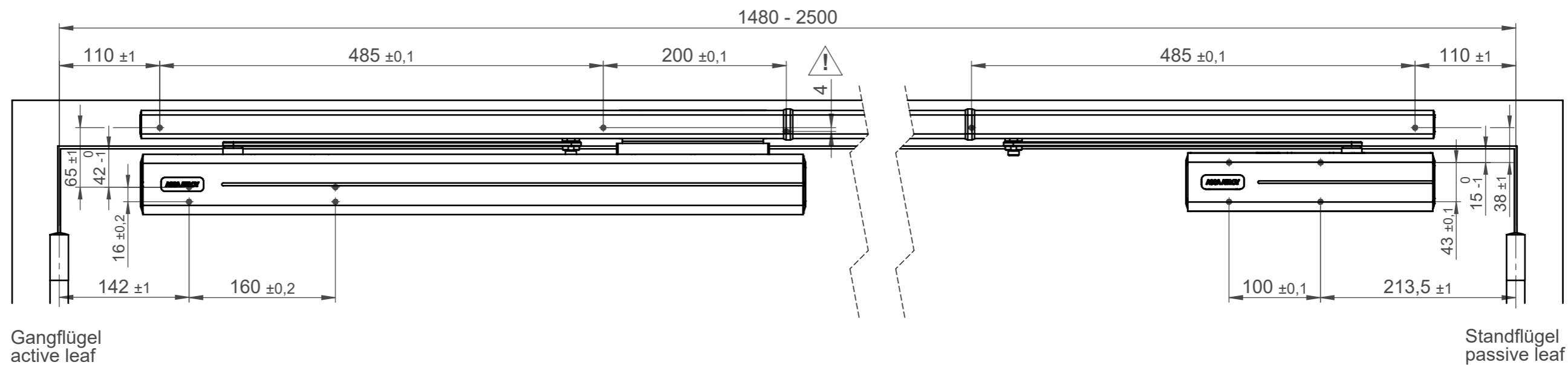


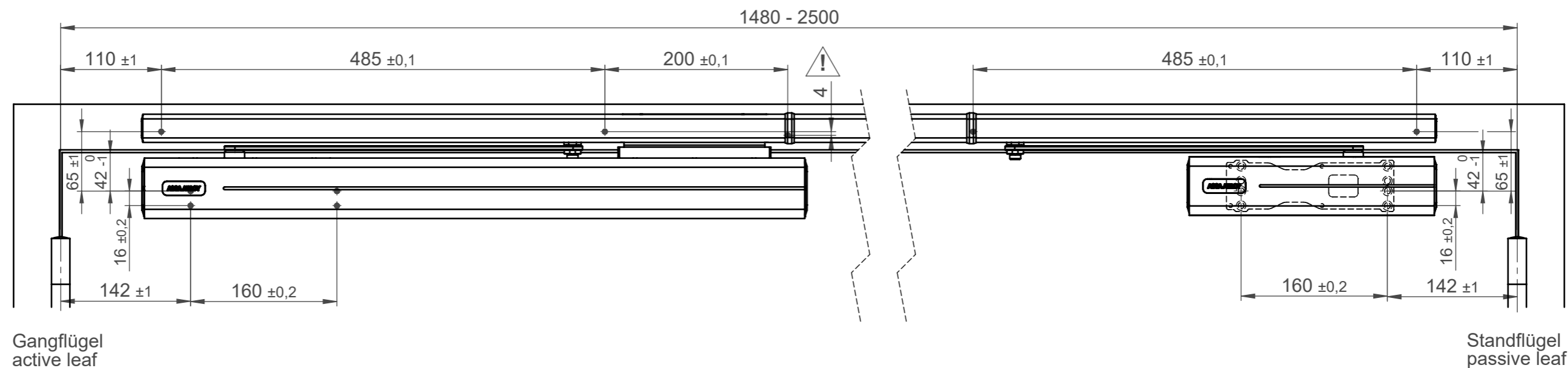
This work is copyright and no part may be reproduced, by any process, nor may any other exclusive right be exercised without the permission of ASSA ABLOY.

**DC700G-CO-FT Befestigung mit Montageplatte**  
**DC700G-CO-FT installation with mounting plate**

**DC700 Direktbefestigung**  
**DC700 direct installation**



**Befestigung mit Montageplatte**  
**installation with mounting plate**



**siehe Anleitung Darstellung 3e und 3f**  
**see assembly instruction illustration 3e and 3f**

State	Description	Date	Name				
Inspection Dimension				Name local language		DC700G-CO-FT	
Surface treatment:				Material:		General tolerance: ISO 8015 ISO 2768-mH	
Volume:	Mass:	Surface area:	Created (YYYY-MM-DD):	Designed by:	Drawn by:	Scale:	Projection:
			2022-10-19	andsau	andsau	1:5 (A3)	1st Angle
<b>ASSA ABLOY</b> ASSA ABLOY Sicherheitstechnik GmbH				Door closer accessory		Alternate ID	
				<b>DC700G-CO-FT-1000</b> Document ID		Rev.:	
						<b>D001408513-001</b>	<b>1</b>