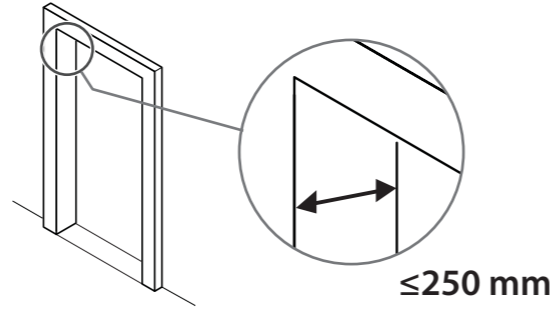
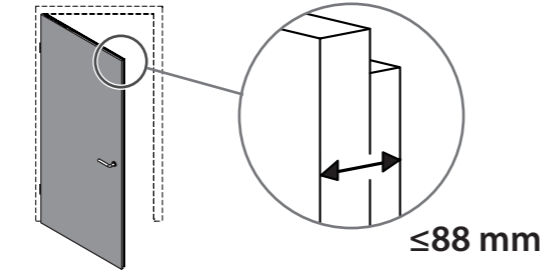
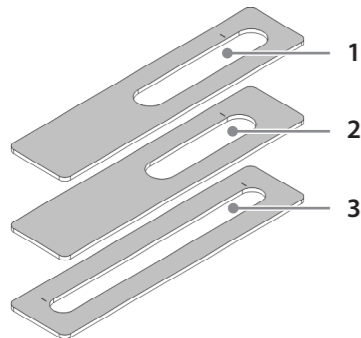
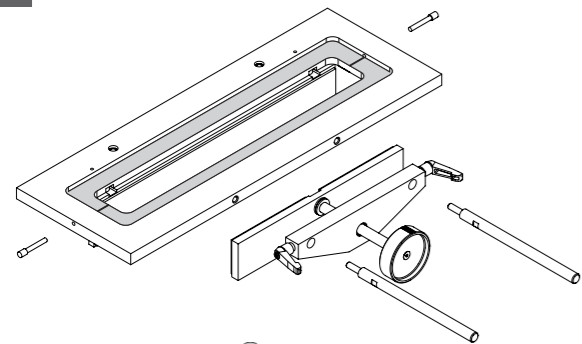


Fräsvorrichtung
ActiveStop
Milling attachment
ActiveStop

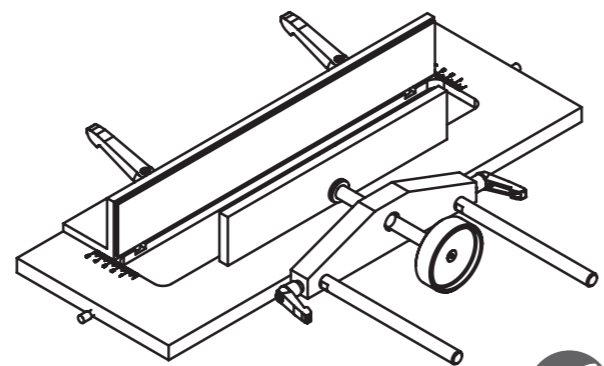
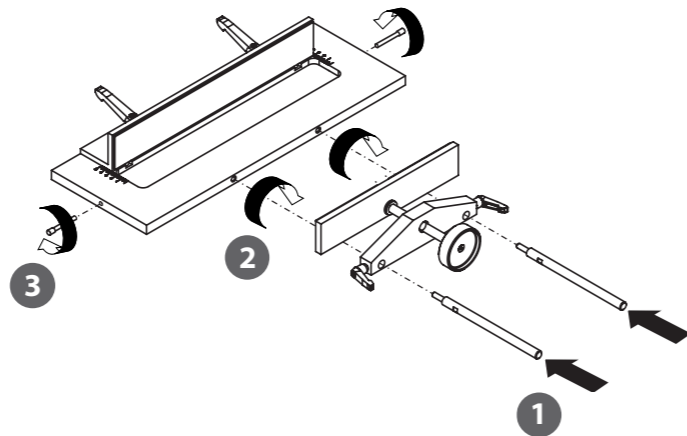


166874-01

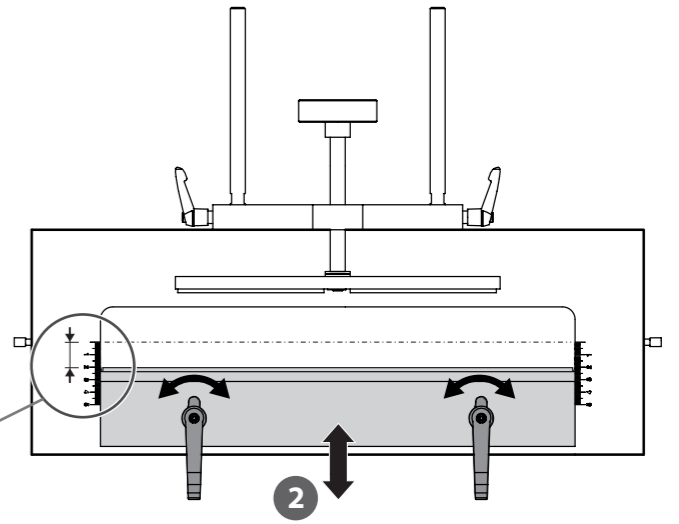
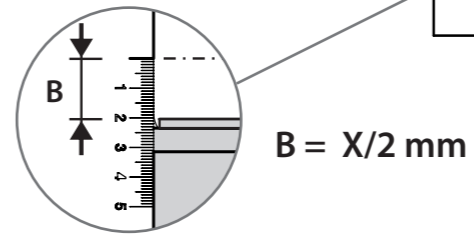
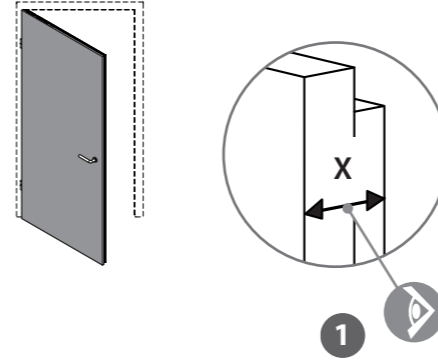
GEZE



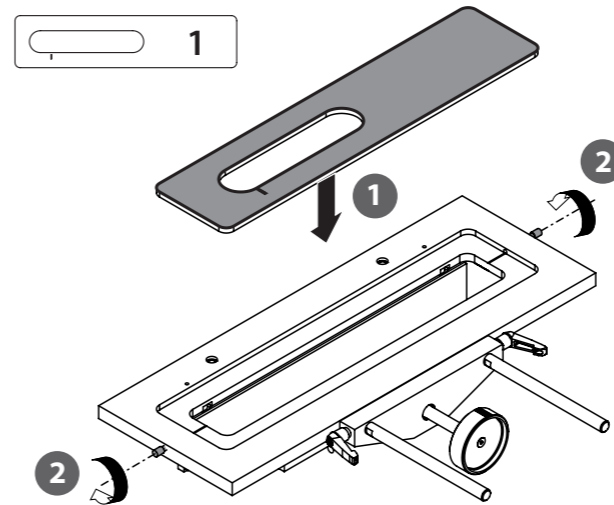
1



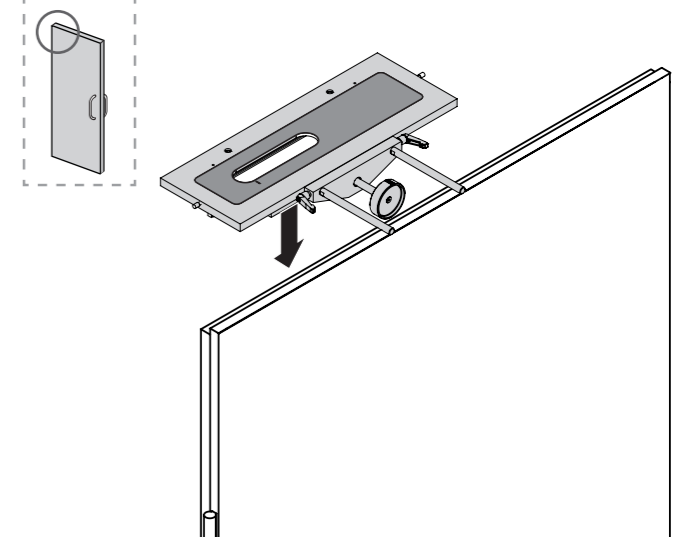
2



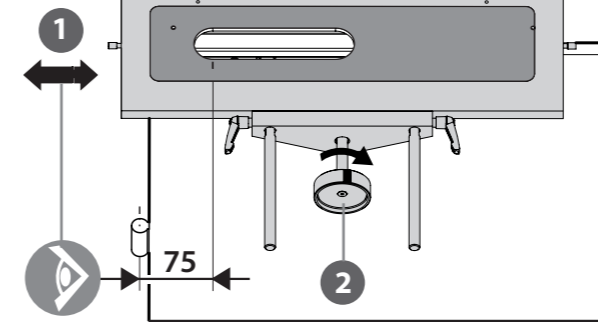
3



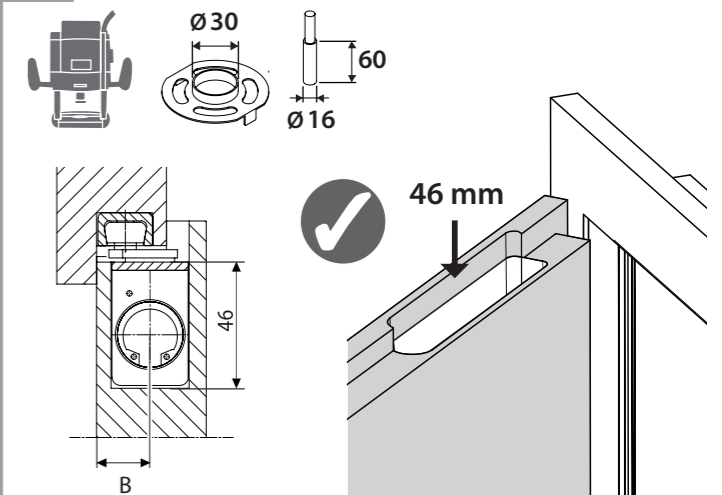
4



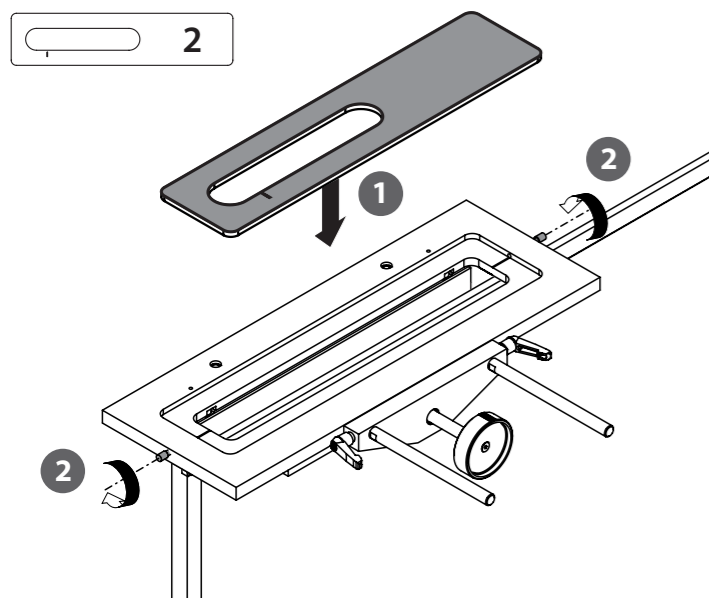
5



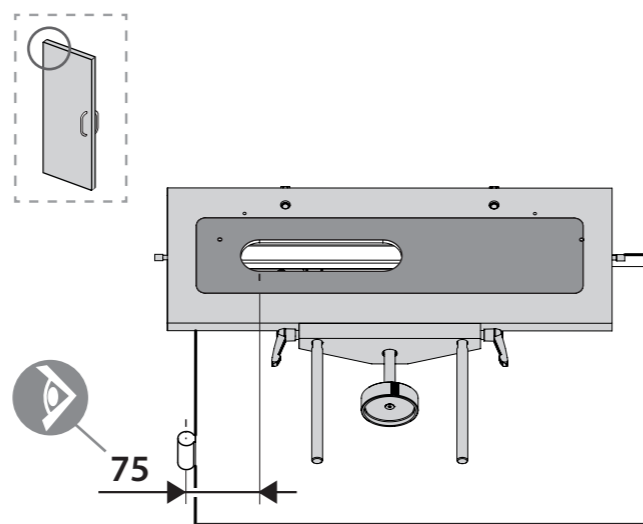
6



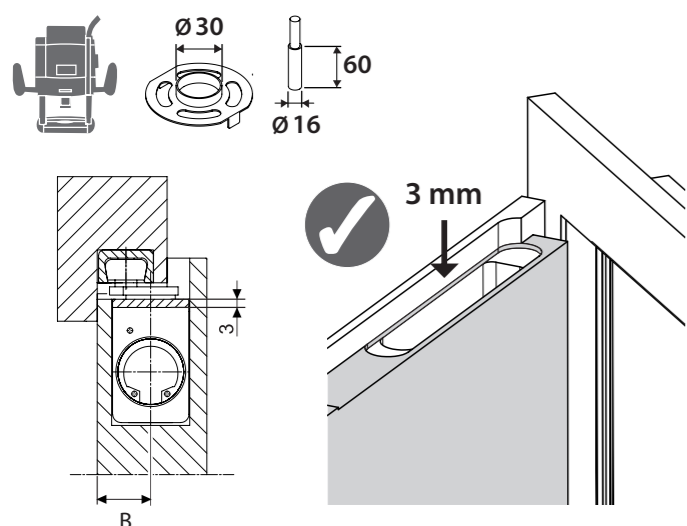
7



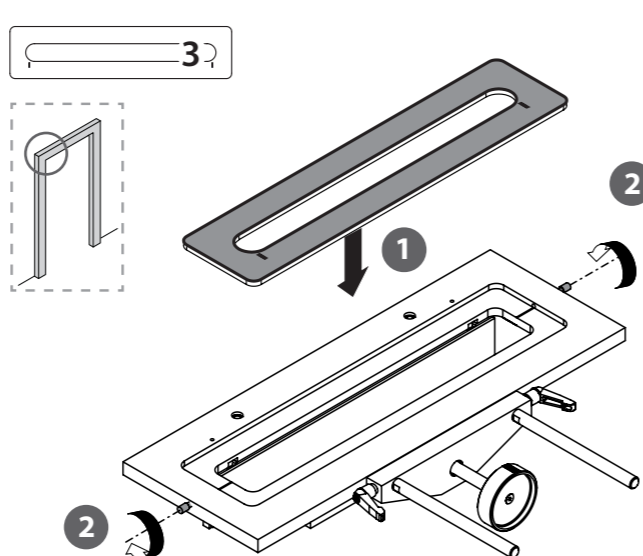
8



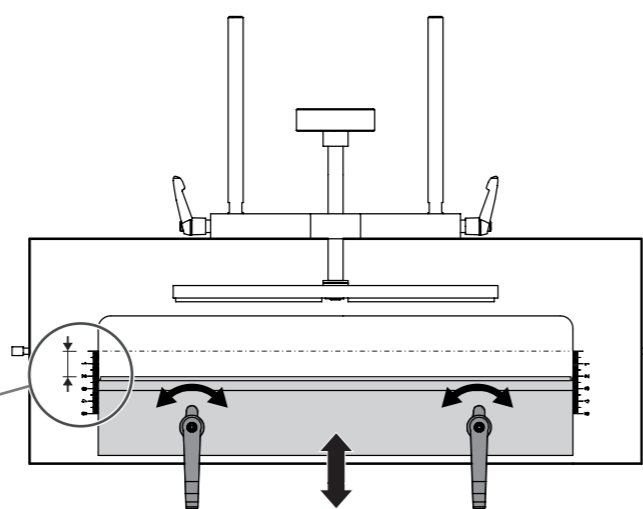
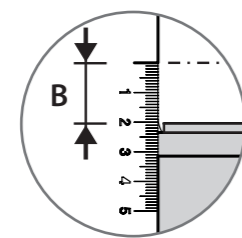
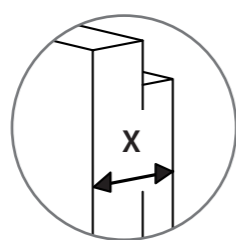
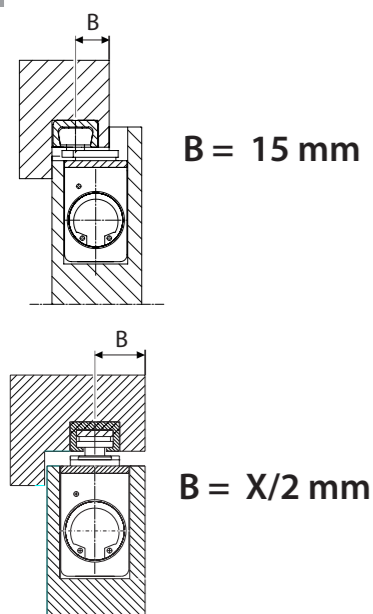
9



10



11



12

